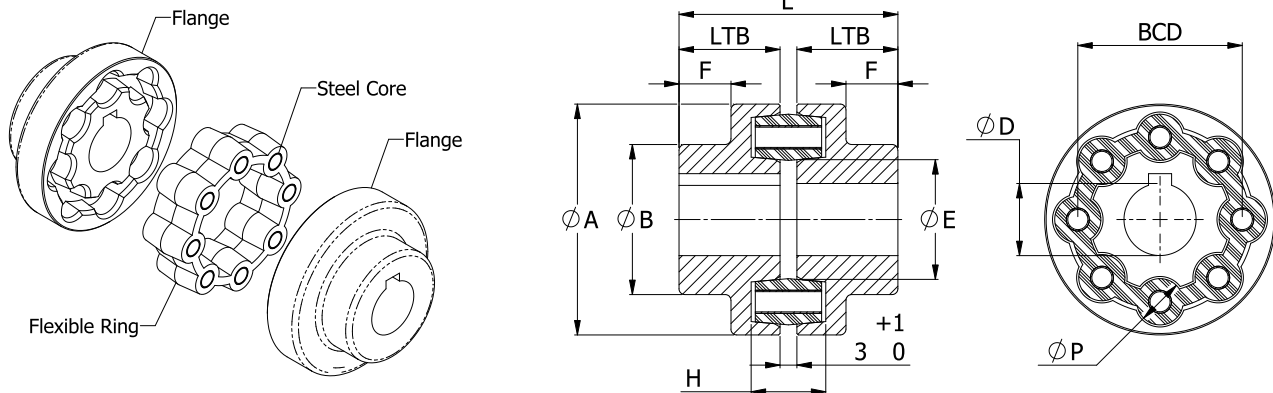




MH coupling consists of two flanges and flexible ring able to compensate all types of shaft misalignments. The flexible rings are made of synthetic rubber with steel cores reinforced for improve reliability and maximum operating speed of the coupling. The damping characteristic of the rubber anable to absorb and dampen torsional vibrations, operate effectively in temperature range of -40 to +100 °C. The rubber also resists to oil, dirt, grease, moisture, ozone and many chemical solvents.



Ratings and Dimensions

MH Size	Rated Torque (Nm.)	Max. Speed (RPM.)	Bore, D		Dimension (mm.)									Total Weight (kg.)	Moment of Inertia GD ² (kg.m ²)
			Min. (mm.)	Max. (mm.)	A	B	LTB	L	E	F	H	BCD	P		
45	2.0	6,000	5	14	45	25	23	49	20	13	15	30.0	9.5	0.48	2.10E-04
55	4.0	6,000	9	20	55	38	27	57	26	15	17	36.0	11.0	1.02	6.20E-04
65	7.0	6,000	12	25	65	45	30	63	33	16	19	45.0	12.0	1.88	1.50E-03
80	16.0	5,500	16	30	80	52	35	73	41	18	23	57.0	16.5	3.54	3.70E-03
90	37.0	5,000	20	35	90	62	40	83	46	21	25	64.5	18.0	5.40	7.10E-03
115	80.0	4,600	25	45	115	80	55	113	58	29	33	82.0	23.0	8.10	2.70E-02
130	120.0	4,400	27	50	130	90	60	123	65	32	37	93.5	27.5	13.50	4.20E-02
145	200.0	4,200	30	55	145	100	65	133	72	35	39	102.0	30.0	19.30	9.40E-02
175	420.0	3,800	35	65	175	115	80	163	84	43	47	120.0	35.5	26.30	1.90E-01
200	640.0	3,600	50	80	200	130	110	223	92	69	53	140.0	41.0	35.70	3.10E-01

Remarks:

1. Accommodate shaft misalignments, parallel offset 0.2 mm. and angular 0.3°.
2. Splined, hex, round, set screw or keyway bore available at additional charge.
3. Coupling hub material is made of cast iron.
4. Find Rated Torque by : $\text{Rated Torque (Nm.)} = \frac{\text{Power (kW)} \times 9550 \times \text{Service Factor}}{\text{Speed (RPM)}}$

B.V. Transmission Industries

Unit 18 , Khyati Industrial Estate,
Laxmi Nagar, Link Road , Goregaon West,
Mumbai - 400104, Maharashtra , India

Tel : +91- 22-28762345
Tel : +91- 22-28767941
☎ : +91- 93247 18035
☎ : +91- 98206 92004

email :: sales@bvchains.com
bvchain@gmail.com
web:: www.bvchains.com